



Artmatrix provides a large range of area optimization solutions. Tables of varying shapes and sizes can meet and combine to create beautiful, elegant and functional meeting areas. Our clear-cut design portrays the essential lines for a personal and prestigious environment.

CONFERENCE TABLE



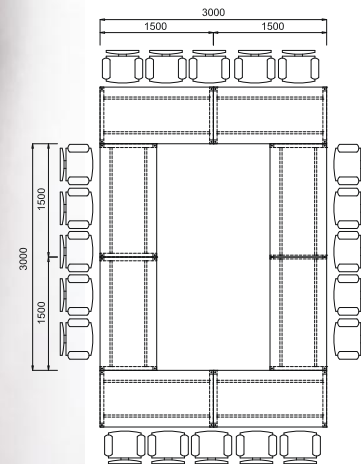
CONFERENCE
TABLE

Conference Table

O-SHAPE

Customized Modular Conference Table

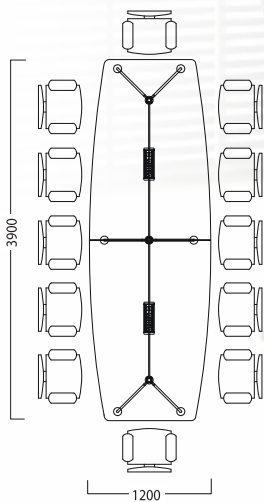
The durable, straightforward simplicity and customized modular conference table set in a range of shape to demonstrate a sophisticated feature to fulfill individual requirements. The table top is floated above TrendX Pro aluminium leg to create a lightness design for a stylish conference room.



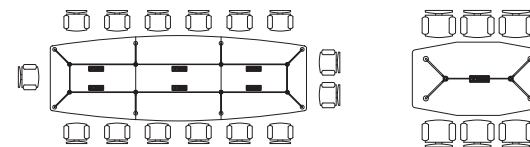
Conference Table
BOAT SHAPE

Sleek & Cool Conference Table

A sleek example of cool minimalism, this conference table celebrates materials in their purest form, combining an austere aluminium frame with laminate on veneer top.



other configurations:



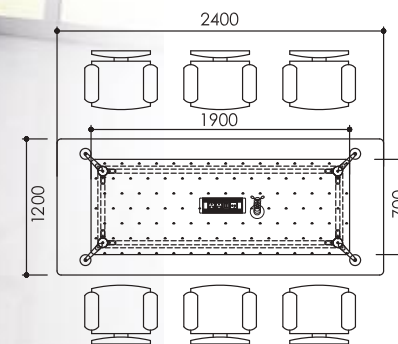
Conference Table

GLASS TOP



A Simple & Elegant Set Table

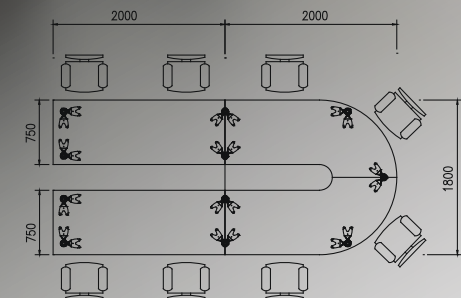
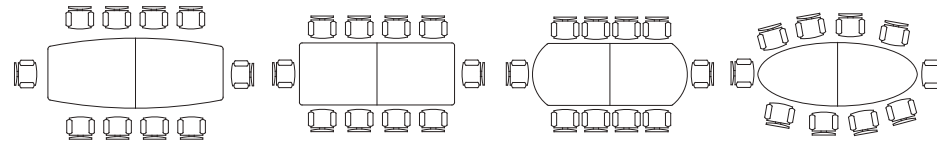
A painted glass top meeting table supported by the I-Mode leg with chrome finishes presents an attractive design to people during meeting. Its cable management will be through usage of flexible wire conduit. By having an AH-Meyer socket on the top of table, enhance accessibility to power/outlet data.



Conference Table

U-SHAPE

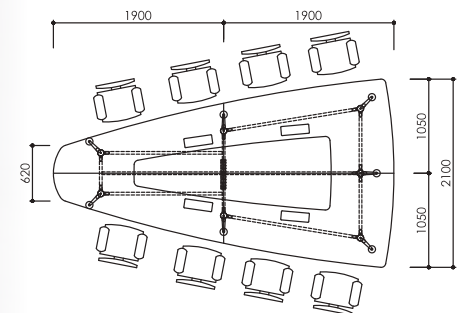
other configurations:



Conference Table
A-SHAPE

An Attractive and Variation Meeting Table

A meeting table in A-shape, which in a non-traditional shape serves to come out a modern design and break the tension during meeting. The MFC (Melamine Face Chipboard) top finishes is complemented by a reverse chamfer to top edges, give people a sleek and slim top detail. The center part of the meeting table, wrapping by using leather in various colour, present an alternative interesting combination. A chrome finishes I-Mode leg heighten the sense of elegance of this meeting table. By having a well design of cable trays and risers underneath the table top, giving a clean cut lines design to people and easy access to the power/ data & voice points by the use of AH-Meyer turnable socket on the table.

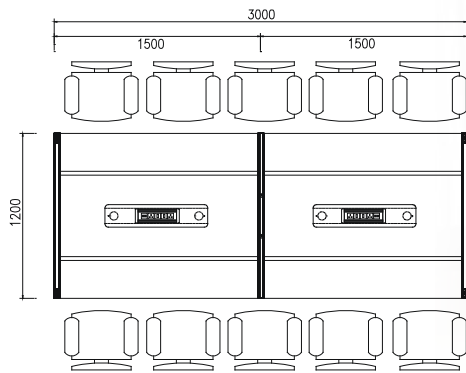


Conference Table

METAL SQUARE LEG

A Tough & Clean-cut Lines Design

The meeting table which comes in metal square leg and MFC (Melamine Face Chipboard) top finishes and complemented by flat edge, proposes a simple and clean-cut lines design which well suited to both traditional and contemporary boardroom. A wire riser which placed underneath the meeting table keeps the wire management neatly.



CONFERENCE TABLE EDGING:

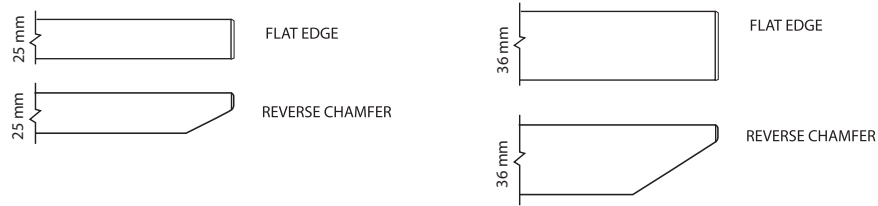


TABLE SHAPE & SIZE OPTIONS:

