



SILVER LINING

BUENO **INNOVE**

Sleek Perfection With Luxury Comfort



Bueno Fabric Series



BOZ1G3V-C
Cantilever Chair



BTM1S4L-C
Low Back Chair



BTM1S4M-C
Medium Back Chair



BTM1S4H-C
High Back Chair

Bueno Leather Series



BOZ1G3V-C
Cantilever Chair



BTM1S4L-C
Low Back Chair



BTM1S4M-C
Medium Back Chair



BTZ1S4H-C
High Back Chair

BUENO

A good supporting chair helps to promote people work and feel comfortable level at work. Bueno is applied with synchronized multiple locking mechanism, that enables the chair backrest and seat can be adjusted proportionately. This allowing user to maintain a comfort level in working posture.

Pleasing and sophisticated design

The Bueno range provide you with an elegant look and strong support. The sleek angles add to the classiness and sophistication of the chairs, with leather finishing the chairs are the perfect choice for a chic appearance in modern office.



INNOVE

Innove is designed with fine craftsmanship in leather. It's furnished applied with synchronized multiple locking mechanism and thick PU cushion backrest, provides a comfort better and flexible sitting position.

Innove Leather Series



IOH1G3V-C
Cantilever Chair



ITM1S4L-C
Low Back Chair



ITM1S4M-C
Medium Back Chair



ITM1S4H-C
High Back Chair



Refinement in a sleek design

The Innove range offers executives luxury and comfort in a sleek design. With an array of colours to choose from combined with Innove's well engineered design and headrest, Innove provides comfort within a seat of luxury.

Contoured backrest

A contoured shaped cushion on upholstered backrest, conforms finely to body shape.

Mars armrest

Height adjustable armrest with polyurethane (PU) armpad.

Polyurethane (PU) seat

A high density polyurethane moulded foam upholstered in either PU or leather finishing, provides great comfort sitting for long seating hours.

Synchronized multiple locking mechanism

Easy and handy adjustment of synchronized multiple locking mechanism and tension adjustable knob to adapt user body weight automatically. It enables the backrest can be locked at 3 positions.

Aluminium base

Swivel aluminium base with twin wheel nylon castors.



OPTIONAL ARMREST



M1 - Mars Armrest
Height adjustable armrest with PU armpad.



Z1 - Zeus Armrest
Fixed metal armrest, chrome finishing.

BASE



N1 - Nylon Base
Nylon base with castors, black finished.



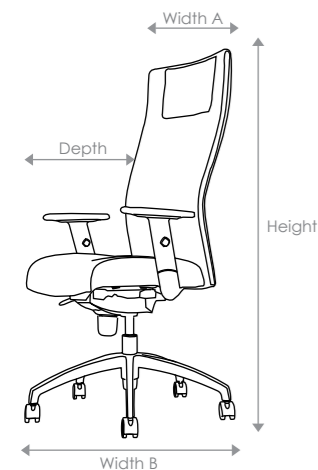
S4 - Aluminium Base
Aluminium base with castors, polish finished.



G3 - Bueno Integrated Cantilever
Chrome integrated cantilever with PP armpad.



G3 - Innove Integrated Cantilever
Chrome integrated cantilever with PP armpad.



BUENO

Dimensions	High	Medium	Low	Cantilever
Height (mm)	1180 - 1260	1050 - 1130	970 - 1060	930
Depth (mm)	500	500	500	500
Width A (mm)	490	490	490	490
Width B (mm)	730	730	730	570

*Variance ±5 mm

Container Size	High	Medium	Low	Cantilever
Qty/20GP	90	108	108	51
Qty/40HQ	180	228	228	132



Headrest support

A foam padded headrest upholstered in either PU or leather finished, provide maximum comfort and support to head and neck.

Mars armrest

Height adjustable armrest with polyurethane (PU) armpad.

Polyurethane (PU) seat

A high density polyurethane moulded foam upholstered in either PU or leather finishing, provides great comfort sitting for long seating hours.

Synchronized multiple locking mechanism

Easy and handy adjustment of synchronized multiple locking mechanism and tension adjustable knob to adapt user body weight automatically. It enables the backrest can be locked at 3 positions.

Aluminium base

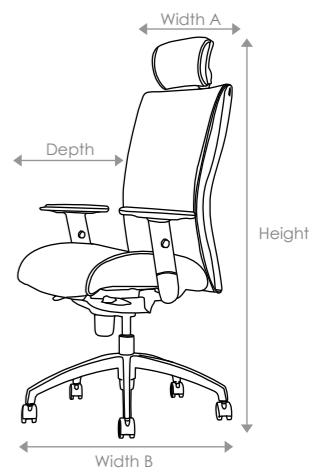
Swivel aluminium base with twin wheel nylon castors.

INNOVE

Dimensions	High	Medium	Low	Cantilever
Height (mm)	1210 - 1290	1050 - 1130	970 - 1060	930
Depth (mm)	500	500	500	500
Width A (mm)	490	490	490	490
Width B (mm)	730	730	730	570

*Variance ±5 mm

Container Size	High	Medium	Low	Cantilever
Qty/20GP	90	108	108	51
Qty/40HQ	180	228	228	132





www.artmatrix.com.my

ARTMATRIX TECHNOLOGY SDN BHD (694144-X)
ARTMATRIX MANUFACTURING SDN BHD (693659-U)
Lot 32789, Jalan 5/1A, Taman Perindustrian Selesa Jaya,
43300 Balakong, Selangor, Malaysia.
☎ +603 8962 2286 ☎ +603 8961 8862
✉ sales@artmatrix.com.my
🌐 www.artmatrix.com.my

KK SHOWROOM
Ground Floor, Block B, Lot 4,
Damai Plaza Phase 3,
Wisma CTF, Jalan Damai,
88300 Kota Kinabalu, Sabah, Malaysia.
☎ +6088 448 355 / 448 655
☎ +6088 448 455

JAKARTA REPRESENTATIVE OFFICE
28-12, DBS Bank Tower 28 Floor,
Ciputra World One,
Jalan Prof. Dr. Satrio Kav 3-5,
Jakarta 12940, Indonesia.
☎ +62 21 2988 7965 ☎ +62 21 2988 8201
✉ jakartaoffice@artmatrix.com.my

Accreditation



Green Labels and Awards



International Member of



Member of

