



**IF**

Intelligent Folding





# I N T R O D U C T I O N

IF, structured with aluminium extrusion on a rigid aluminium die-cast base, allowing the system to be configured to please workplace aesthetic and suit all corporate functions. Complete with intelligently design wire management system, cables are hidden underneath tabletop and cabinets.

IF system is available in 4 types: IF-foldable, IF-revolving, IF-cluster and IF-extra. Aiming to provide high flexibility, IF system provides an exceptional platform for different applications – from general working area to conference room and waiting lounge.

IF-foldable, turns a function room to training room, meeting room, and conference room. IF-revolving, a new revolution in workstation system maximised the creativity in workstation configuration. IF-cluster, an organized workplace for all users where privacy is ensured. IF-bench, the lounge storage and seating elevated with matching base, just perfect the office.

# T A B L E O F CONTENTS

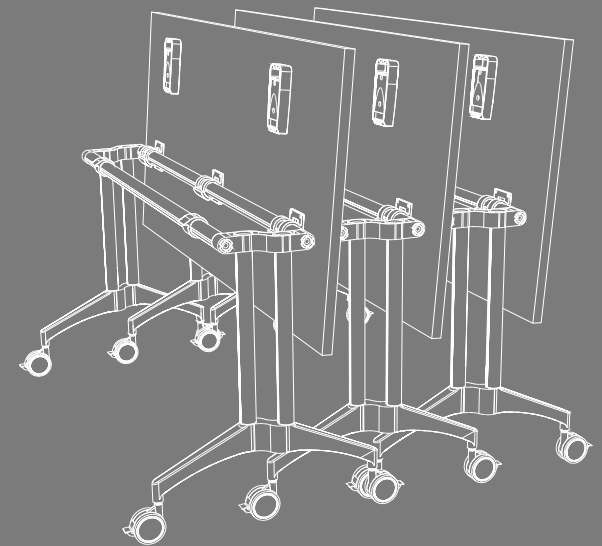
01 - 02	<b>IF-FOLDABLE</b>
03	Training Table
04	Seminar Table
05	Meeting Table
06	Discussion Table
07	<b>IF-CLUSTER</b>
08 - 09	Staff Workstation
10	Executive Workstation
11	<b>IF-REVOLVING</b>
12 - 13	Executive Workstation
14	Staff Workstation
15	<b>IF-BENCH</b>
16	Waiting Area
17	Breakout Area
18	Reception Area
19 - 20	<b>WIRE MANAGEMENT</b>
21	<b>TECHNICAL GUIDE</b>
22	<b>DETAILS</b>
23 - 24	<b>STANDARD DIMENSION</b>
25	<b>CERTIFICATES</b>
26	<b>PROJECT REFERENCES</b>
27 - 28	<b>CLIENT LIST</b>





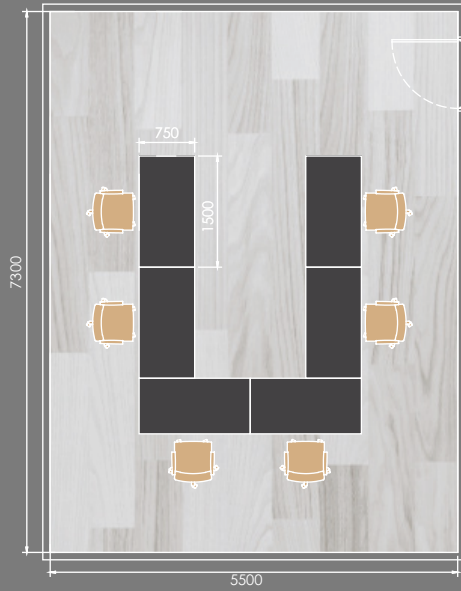
# IF-FOLDABLE

IF-foldable is a friendly and versatile folding table for active spaces. It comes with folding function, allowing the table to be folded to ease the storage in an orderly manner. IF-foldable is integrated with intuitive IF linking device that allows the tables to connect and separate easily from one to another.

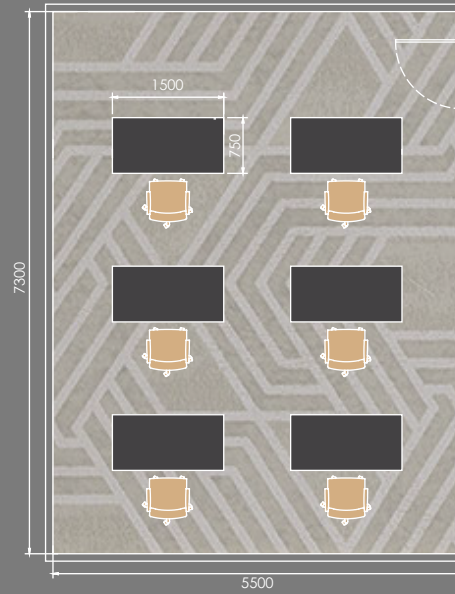


# IF MODULAR TABLE CONFIGURATION

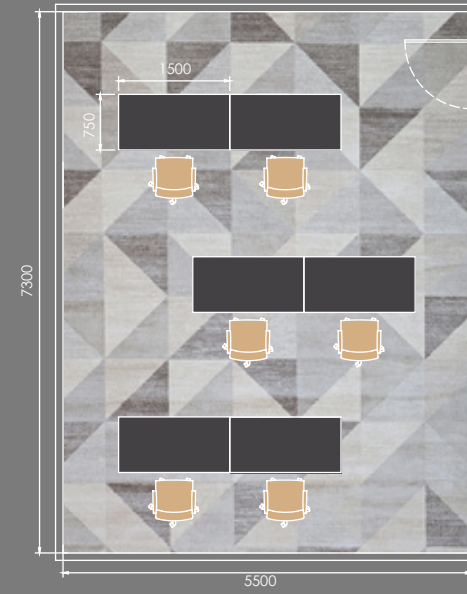
## MEETING ROOM



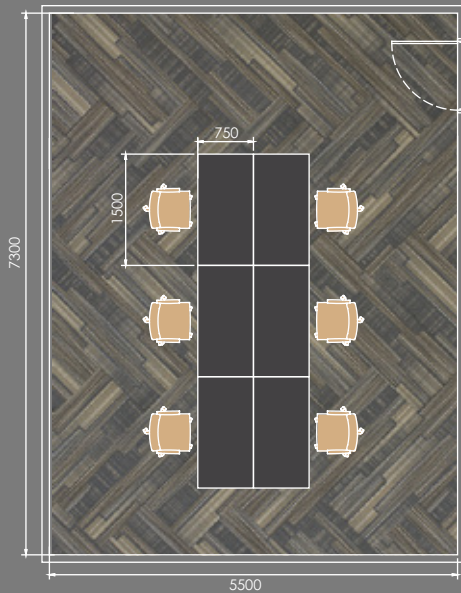
## CLASSROOM



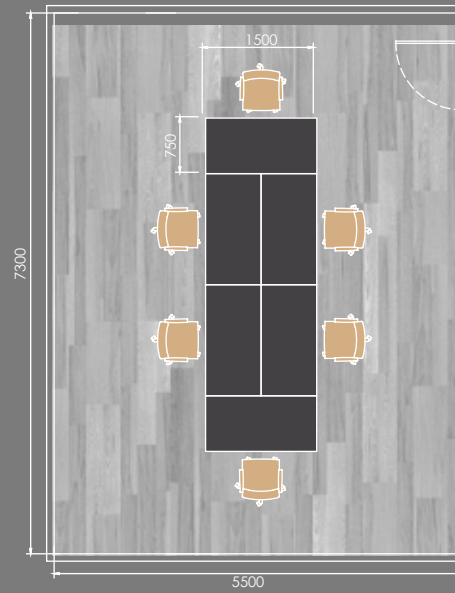
## TRAINING/ SEMINAR ROOM



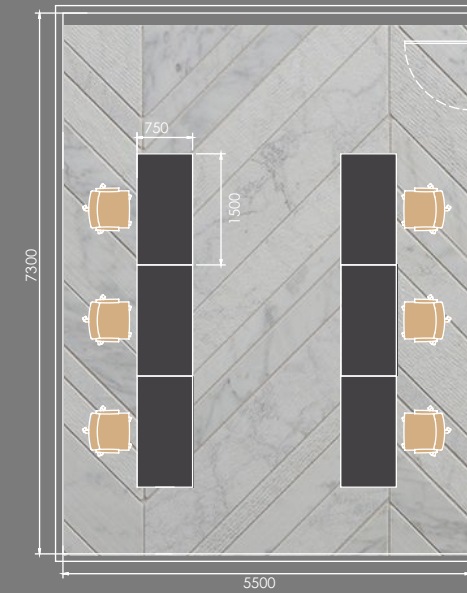
## DISCUSSION ROOM



## STAFF AREA



## DEBATE STYLE

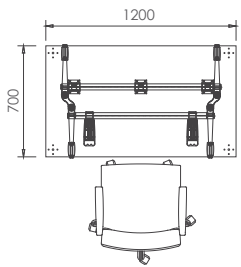


# TRAINING TABLE

IF-foldable comes with folding and nesting function that could easily turn a multipurpose hall to a training room, meeting room or conference room. The tabletop can be folded up vertically, allowing the tables to stack together for compact storage.

- Worktop Colour** : Vermont Ash
- Epoxy Colour** : White & Black
- Chair** : Xera

Dimension:



Other Configurations:





# SEMINAR TABLE

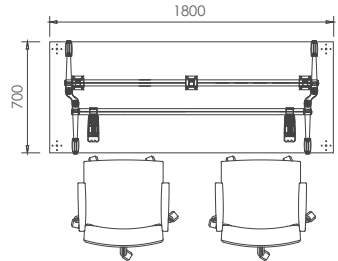
IF-foldable is a modular folding table that can be freestanding or linked together to address all seminar room needs. The tables can be aligned by linking devices for different table configurations that fit your purpose.

**Worktop Colour :** Ivory Maple

**Epoxy Colour :** Black

**Chair Model :** Xera

Dimension:



Other Configurations:



# MEETING TABLE

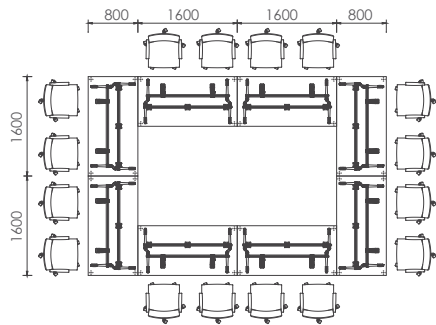
IF-foldable is a linkable table system which can be positioned individually or linked with each other, transforming conference table into different shapes such as hollow and U-shaped for different meeting types.

**Worktop Colour** : Ivory Maple

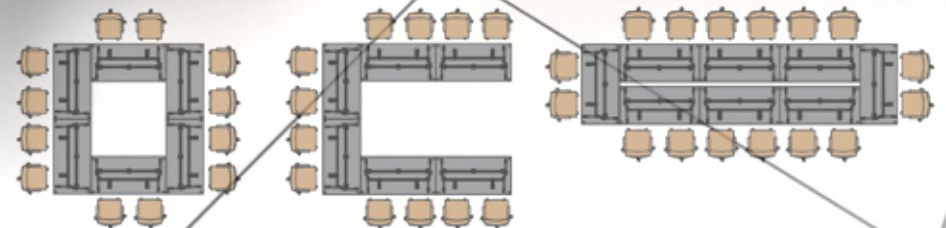
**Epoxy Colour** : White

**Chair Model** : Supremo

Dimension:



Other Configurations:







## DISCUSSION TABLE

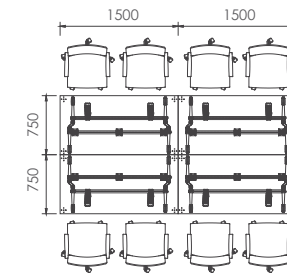
Mobile IF-foldable tables easily transformed a room into a place suitable for various discussions of different group sizes. It provides maximum flexibility by combining single tables into various linked configurations to encourage active communications, accelerating completion of task and resulting in exceptional outcome.

**Worktop Colour** : Snow White

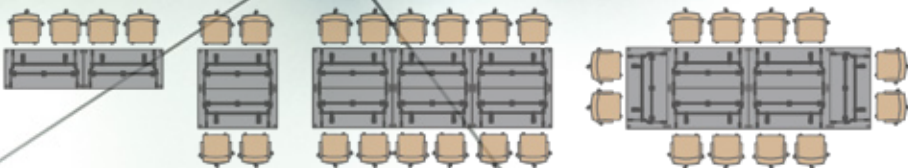
**Epoxy Colour** : Champagne

**Chair** : Jazz

Dimension:

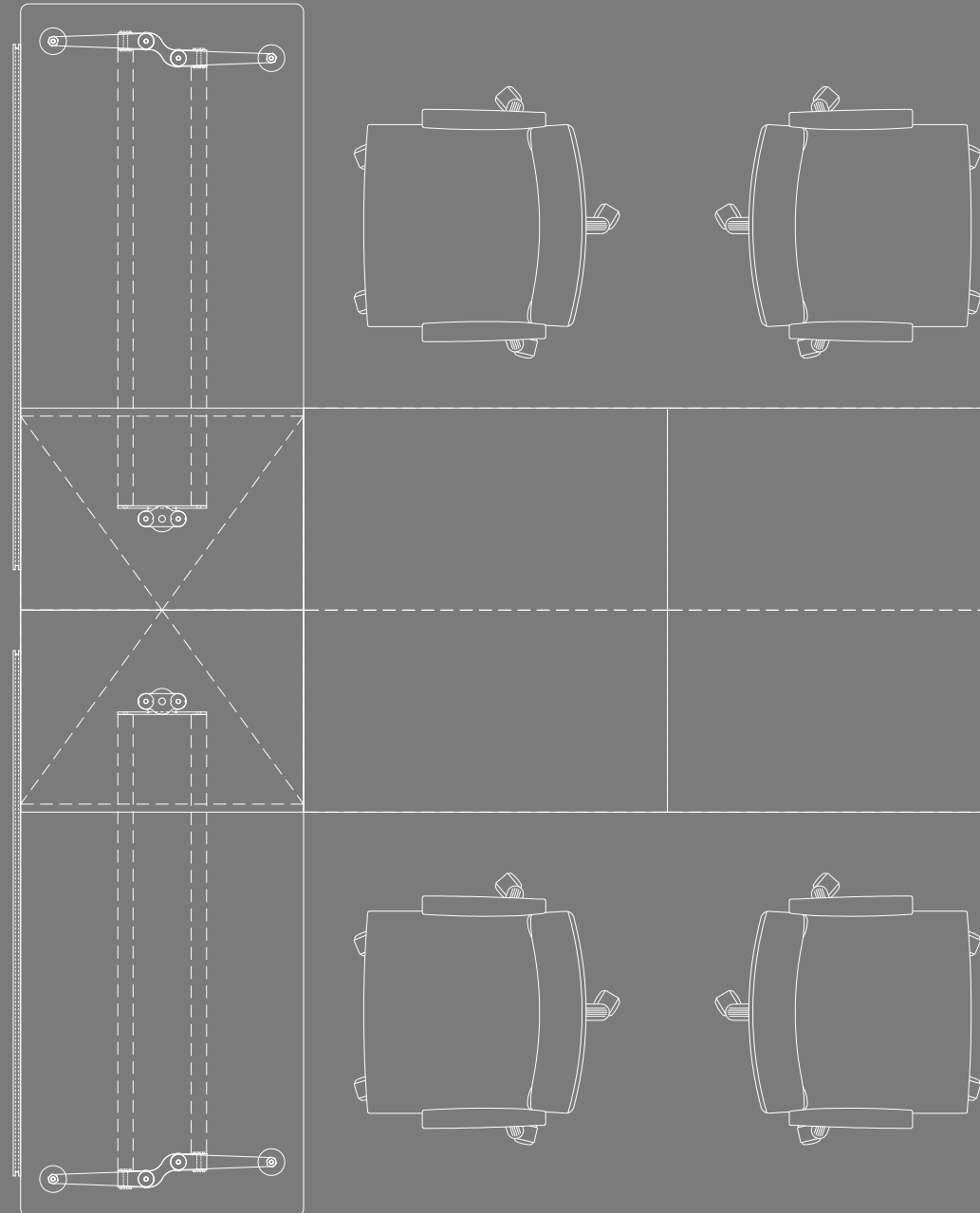


Other Configurations:



# IF-CLUSTER

IF-cluster is an organized workplace for all users where storages are leveled up with matching IF base, creating a floating effect of the system.





## STAFF WORKSTATION

IF-cluster is designed to manage and utilize the workspaces. The perpendicular storage unit between workstations provides storage solution and creates boundary of shared work area.

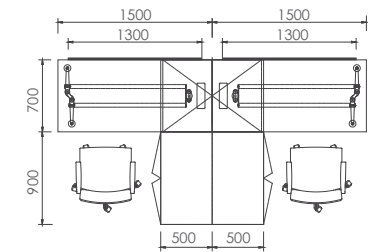
**Worktop Colour** : Murnau Maple

**Epoxy Colour** : Black

**Fabric Colour** : Morton 9338 Summer Lime

**Chair** : Xenic

Dimension:



Other Configurations:



# STAFF WORKSTATION

A simple worktop with necessary tools increases the performance of daily task for both individual and group work. IF-cluster is designed with simple components, and completed with privacy panel and side return cabinet to cater your daily office needs.

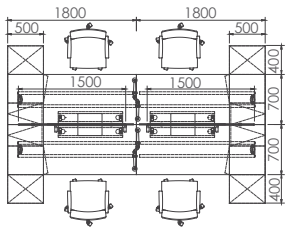
**Worktop Colour** : Olive Ash

**Epoxy Colour** : White

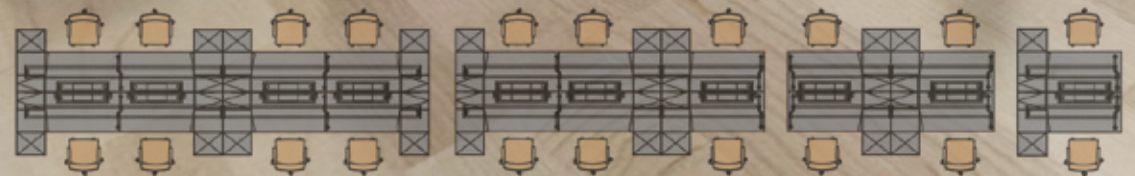
**Fabric Colour** : Morton 9282 Pool Blue

**Chair Model** : Innove

Dimension:



Other Configurations:





## EXECUTIVE WORKSTATION

In addition to exceptional functionality required by executive office, the furniture must also be representative without negligence. IF-cluster with contemporary design creates an elegance look and expresses the corporate culture and executive's personal style.

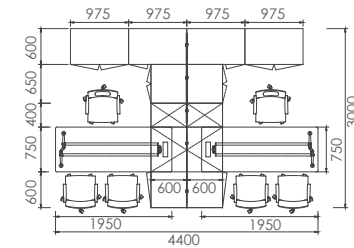
**Worktop Colour** : Snow White

**Epoxy Colour** : Black & Silver Matt

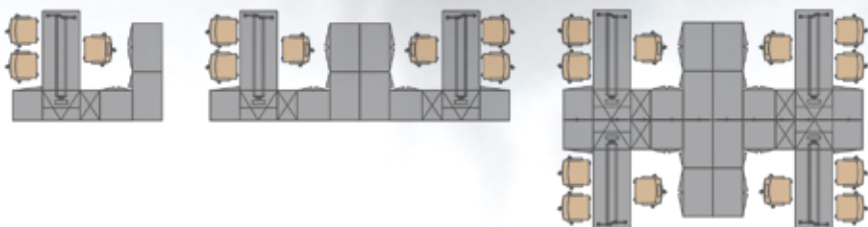
**Fabric Colour** : Galaxy II GA023 Steel

**Chair** : Xenic

Dimension:

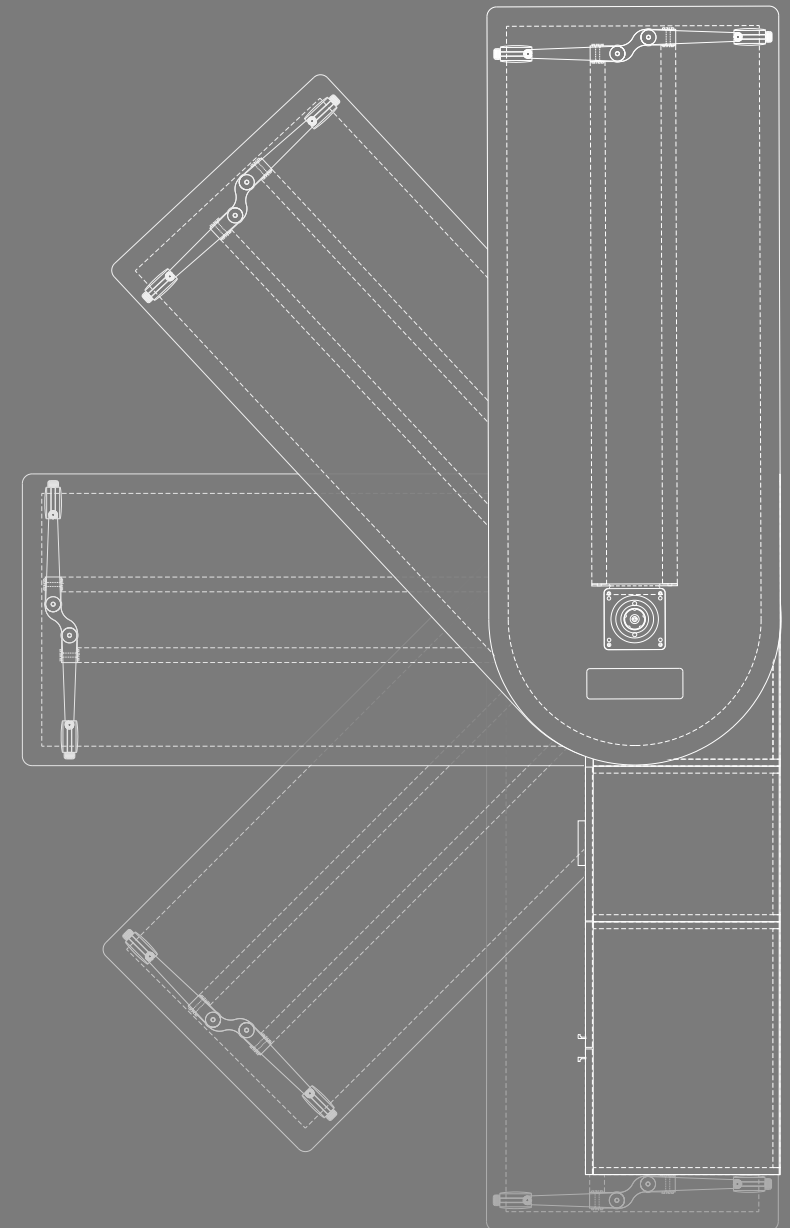


Other Configurations:



# IF-REVOLVING

IF-revolving workstation is presented with bullet-shaped table, completed with IF leg in castors, which are connected with a revolving mechanism to allow table to rotate 180 degree. A row of low cabinets structured a rigid base for workstation, turning a cluster of workstation into various configurations. It is ideal for small office or home office, where space-saving and aesthetic are the top priority.





## EXECUTIVE *WORKSTATION*

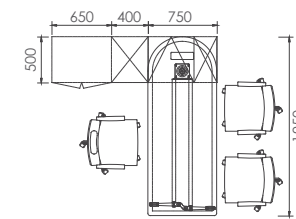
Simple yet functional design helps to clear your mind while accomplishing heavy tasks, management and decisions. Proper storage space and intelligent wire management of the system provide a well-managed workspace, preparing you for a greater challenge.

**Worktop Colour** : Olive Ash

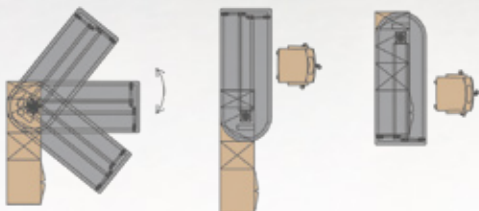
**Epoxy Colour** : White

**Chair** : Supremo

Dimension:



Other Configurations:



# EXECUTIVE WORKSTATION

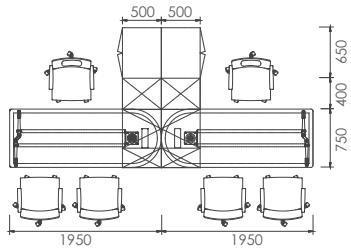
Working desk is crucial for both work efficiency and productivity. IF-revolving in L-shaped cluster and minimal panel encourages communication among workforce. This creates more possibilities for office needs.

**Worktop Colour** : Marinus Walnut

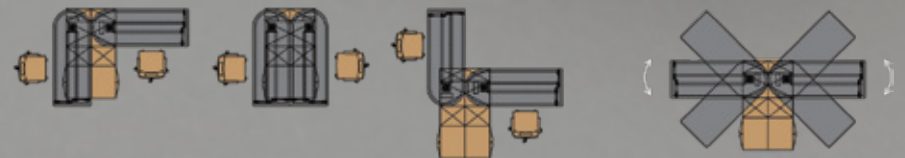
**Epoxy Colour** : Champagne

**Chair Model** : Supremo

Dimension:



Other Configurations:







## STAFF WORKSTATION

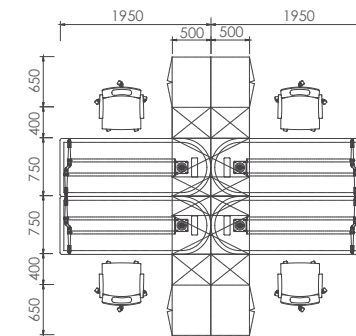
IF-revolving system is versatile furniture which entails no-frills design on the unique mechanism in the base underlines the IF's innovative character. IF-revolving has mastered the knowledge of R&D and experience acquired during the furniture design. It eases the needs of your work desk, and can be space savvy as well.

**Worktop Colour** : American White Ash

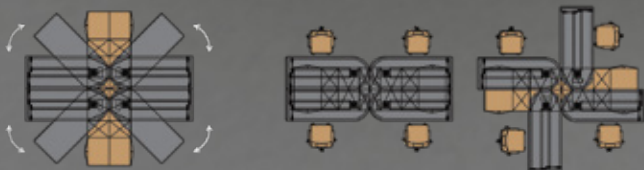
**Epoxy Colour** : Silver Matt

**Chair** : Desiree

Dimension:

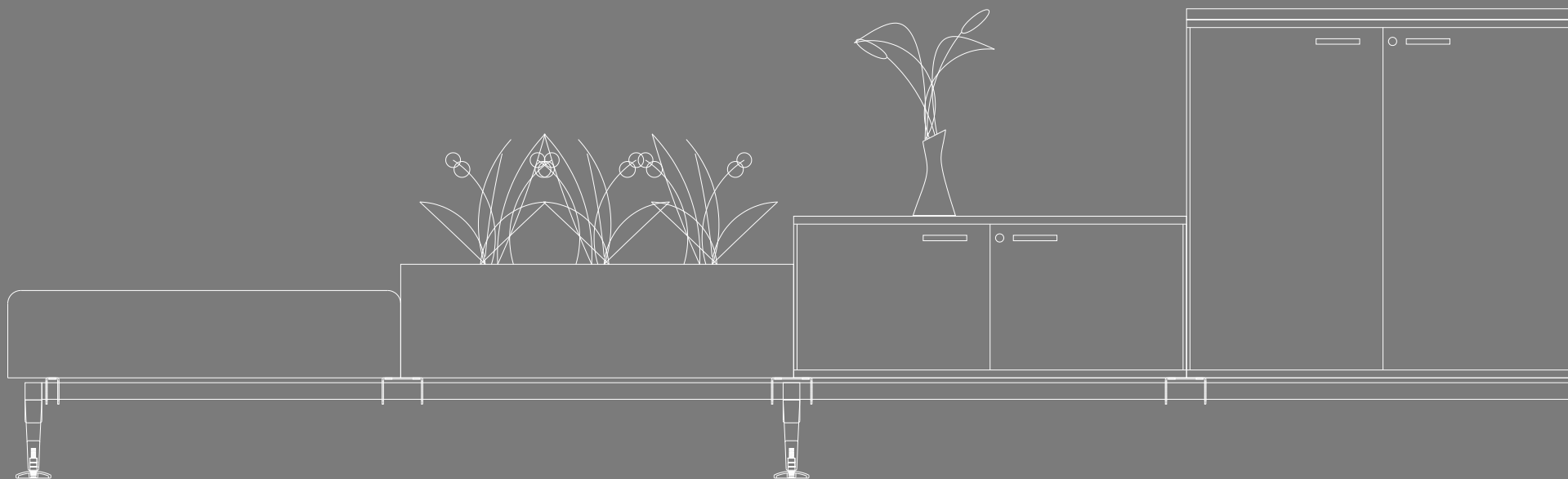


Other Configurations:



# IF-BENCH

IF-bench combines the elegant and ergonomic functionality of a seating and storing element with matching IF leg, perfect the office waiting area.





## WAITING AREA

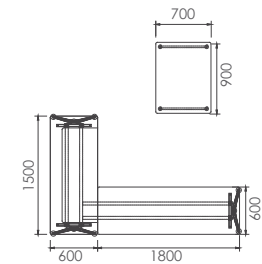
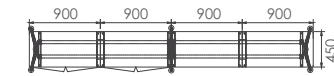
IF-bench ideally rises from floor to allow cleaning process and the seating base is made of aluminium. It provides practical configuration and contemporary design to fit in front office space.

**Cabinet Colour** : Olive Ash

**Epoxy Colour** : White

**Seating** : Excella Exl.161 Mercury

Dimension:



Other Configurations:



# BREAKOUT AREA

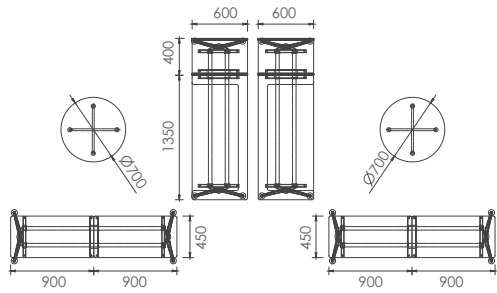
IF-bench is great for entryway or lobby where larger seating options are impractical. It comes with modular design that can be reconfigured in various ways.

**Cabinet Colour** : Olive Ash

**Epoxy Colour** : White

**Seating** : Excella Exl.161 Martique

Dimension:



Other Configurations:





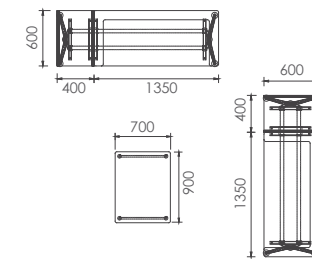
## RECEPTION AREA

IF-bench and cabinet configure in modular units create endless variety of configurations to meet multiple requirements. This IF base comes with comfortable cushion which acts as unique bench that is suitable to use as front desk seating to welcome guests and visitors.

**Epoxy Colour** : Champagne

**Seating** : Vertex 1818-07 Scuba  
Vertex 1818-29 Taboo

Dimension:

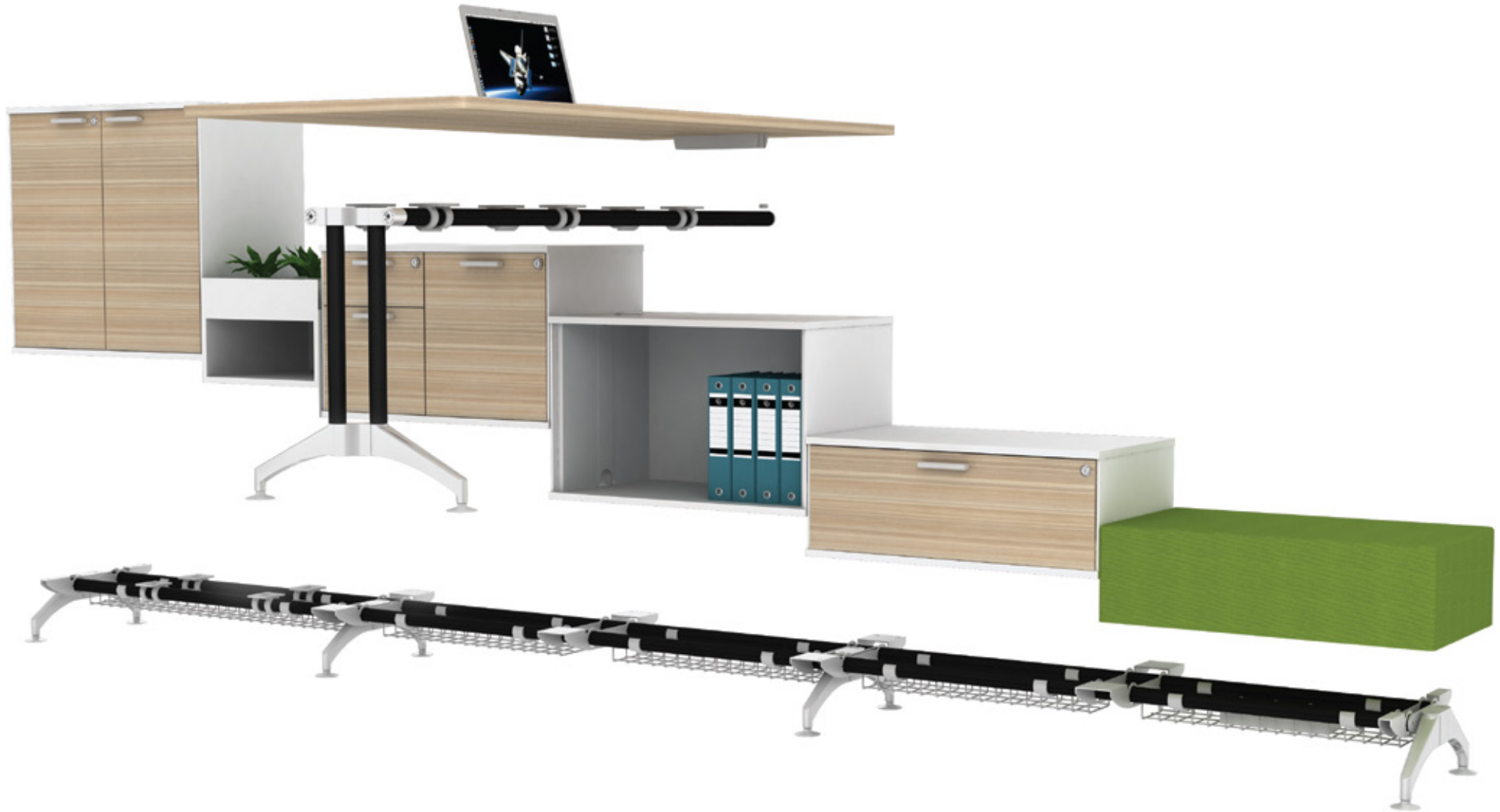


Other Configurations:



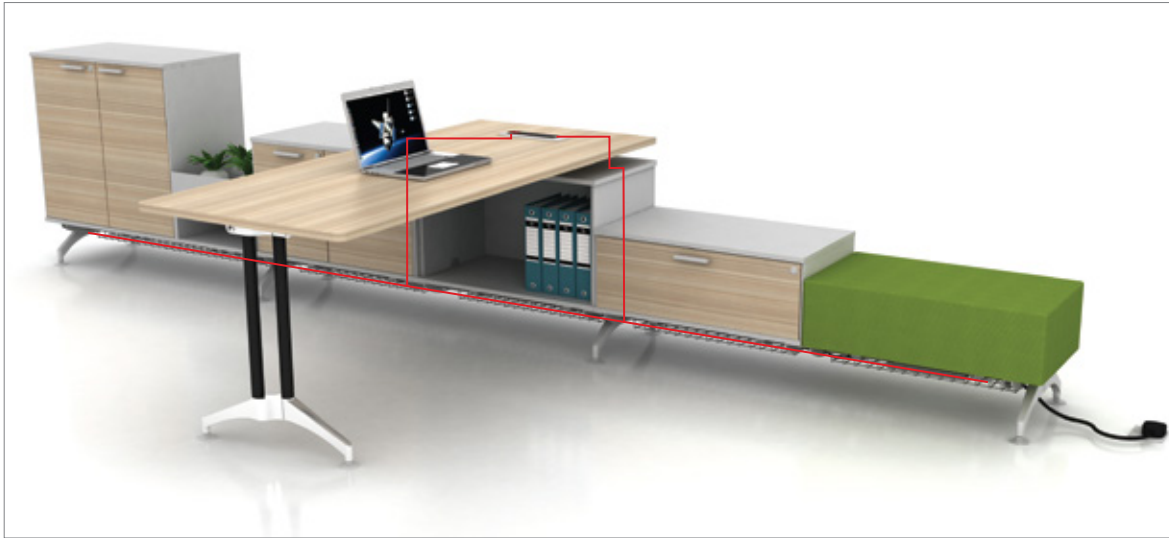
## WIRE MANAGEMENT

It is hassle free to power-up an IF System. Under cabinets and desk wire trays help to route power and data up to worksurface for user to access electrical devices easily. Power points are within reach of users.



### WIRE MANAGEMENT FOR IF-CLUSTER

Cables are conveyed along a hidden wire tray underneath cabinet and rise vertically within side panel.



### WIRE MANAGEMENT FOR IF-FOLDABLE

Wire tray is well placed below the table top offers convenient access to power, voice and data.



#### WIRE TRAY



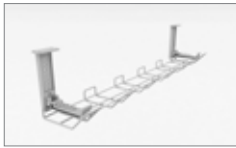
Single metal wire tray



Double metal wire tray



IF basket wire tray



Single basket wire tray



Single aluminium wire tray



IF metal wire tray

#### FLIP UP DOOR



Aluminium flip up door



Aluminium flip up door with press button

#### POWER NETBOX



Netbox Line



Netbox Turnable

#### WIRE RISER



Metal wire riser (attach to top)



Metal wire riser (attach to table leg)



Wire conduit

## TECHNICAL GUIDE

### TYPE A - CURVE CONNECTOR



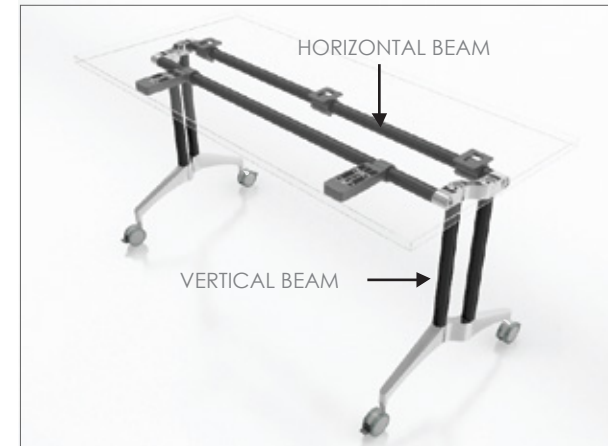
Designed specially for foldable tables. Curve connectors are joined with the bases, allowing tables to be nested neatly.

### TYPE B - STRAIGHT CONNECTOR



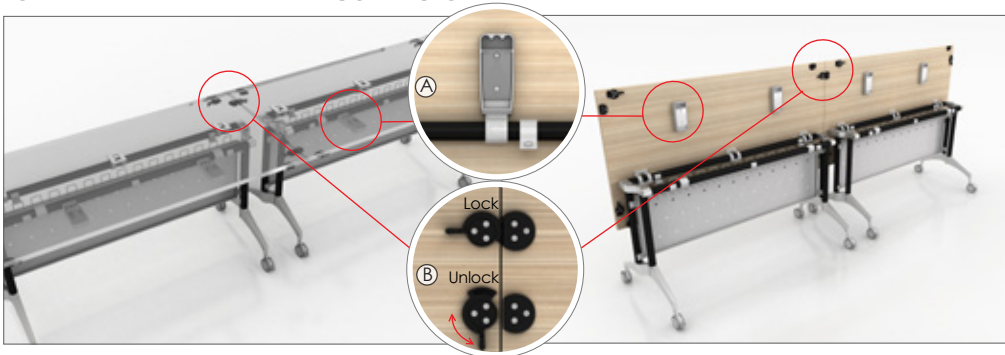
Bases are joined with straight connector allowing the base to join in different angle supporting different width tabletops or storages.

### STRUCTURE



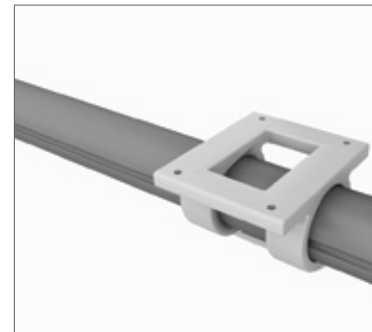
IF with aluminium die-cast base and extrusion for vertical and horizontal beam forming a rigid structure for desk and storages, maximized workstation configuration to suit user needs.

### FOLDABLE TABLE HANDLE AND CONNECTOR



A. Foldable table comes with user friendly handle to release the mechanism for folding/unfolding tabletop.  
B. IF table connector connects two mobile tables together. It is made with ABS material to avoid sharp edge.

### TABLE HOLDER



Plastic injection table holder supports the table beam rigidly.

### BEAM TO BEAM CONNECTORS

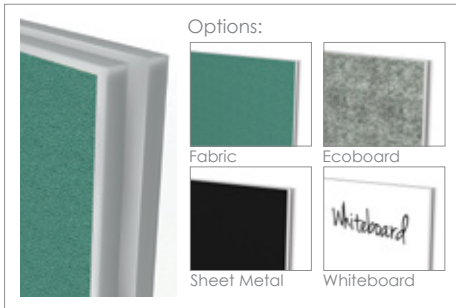


Connect one beam to another in 90 degree and maximise the workstation configuration.



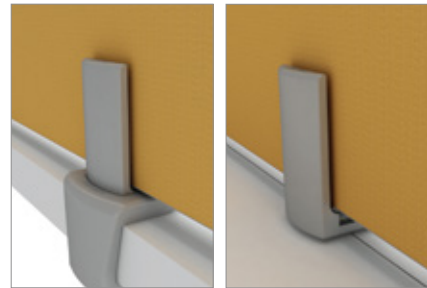
# DETAILS

## IF PANEL



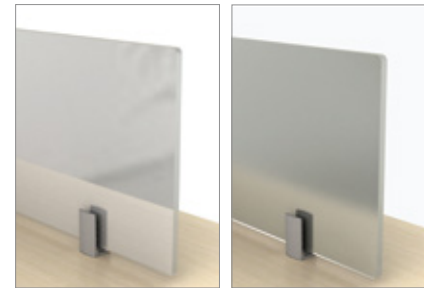
- IF panel is a slim 18 mm panel with aluminium extrusion frame.
- IF panel upholstery options: fabric, ecoboard, sheet metal and whiteboard.
- It can act as table screen, mounts on table top or as hanging screen, hangs on table edge.

## TABLE SCREEN BRACKET



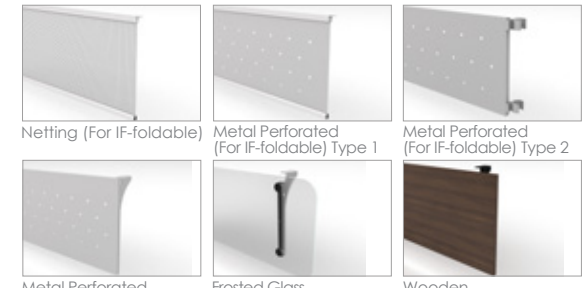
- End Table Screen Bracket
- Sharing Screen Bracket
- To hold IF table screen on the edge of table top
- To hold IF table screen on sharing of table top

## GLASS DIVIDER SCREEN



- Clear Glass Screen
- Frosted Glass Screen
- A 8 mm thickness laminated glass screen, available in clear or frosted glass.

## IF MODESTY



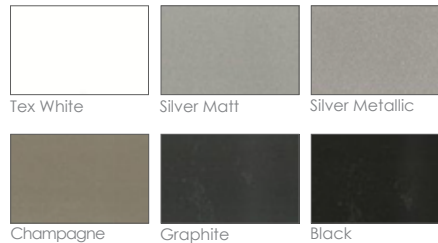
- Netting (For IF-foldable)
- Metal Perforated (For IF-foldable) Type 1
- Metal Perforated (For IF-foldable) Type 2
- Metal Perforated (For IF-cluster)
- Frosted Glass (For IF-cluster)
- Wooden (For IF-cluster)
- A modesty panel is designed to conceal one's legs when seated and possess beauty.
- It is available in a range of different sizes, depending on the table shape, size and the extent of concealment required.
- Modesty panel options: Netting, metal perforated, frosted glass and wooden.

## IF BASE



- Chrome finish
- Epoxy finish
- IF base is available in 2 finishes, chrome and epoxy according to user preferences.

## EPOXY COLOUR



- All leg structures and panel frames come with epoxy coating to protect the structure from rusting and give a clear and glossy look.
- Epoxy colour options: Tex white, silver matt, silver metallic, champagne, graphite and black.

## WORKSURFACE



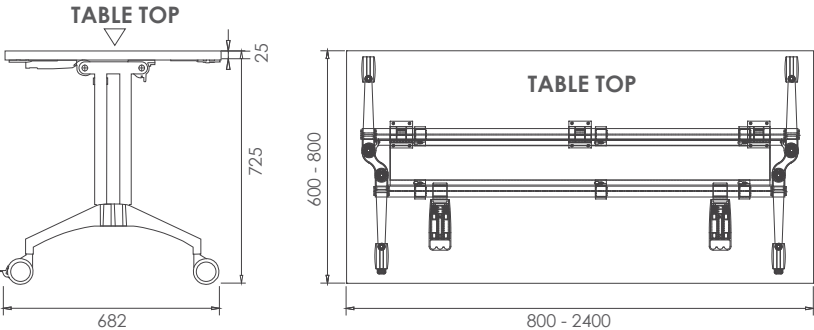
- Available worksurface options: MFC, HPL and high gloss.
- Available worksurface edging options: flat and reverse chamfered.



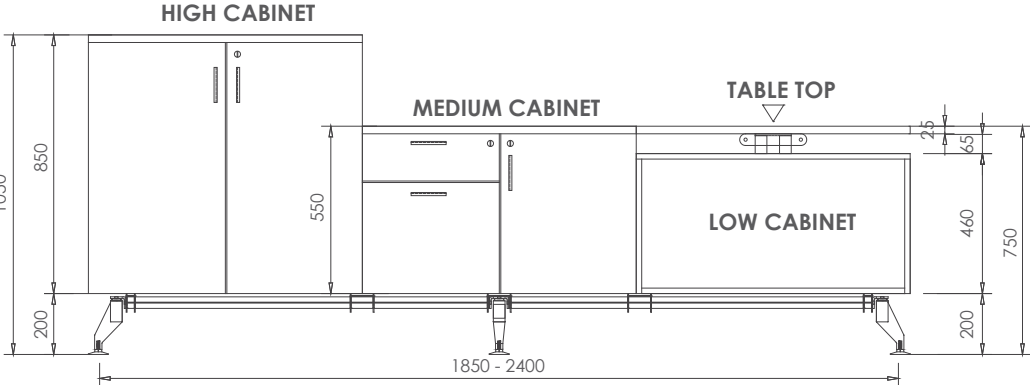
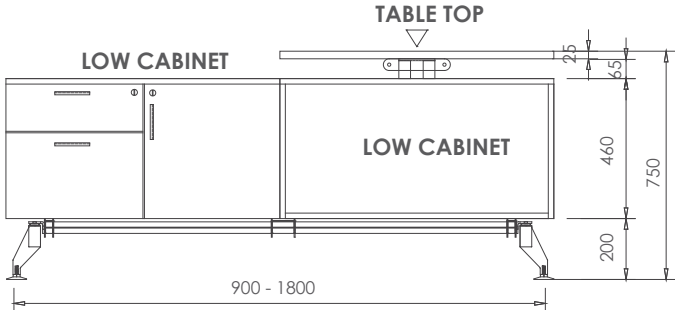
**Disclaimer:** 1. All images are for illustration purposes only.  
2. Colour shown may not be an accurate representation of the actual colour, please refer to actual colour samples for final confirmation.

STANDARD DIMENSION

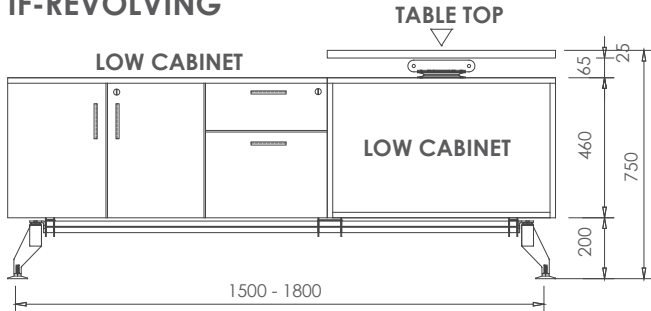
IF-FOLDABLE



IF-CLUSTER

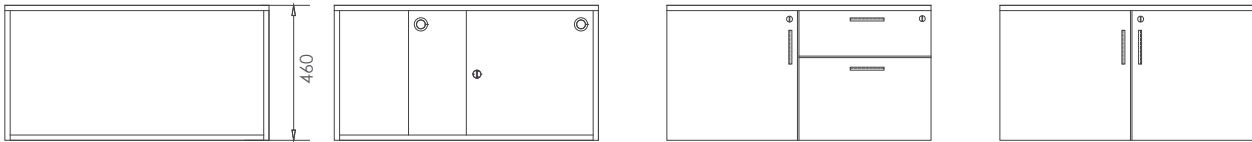


IF-REVOLVING

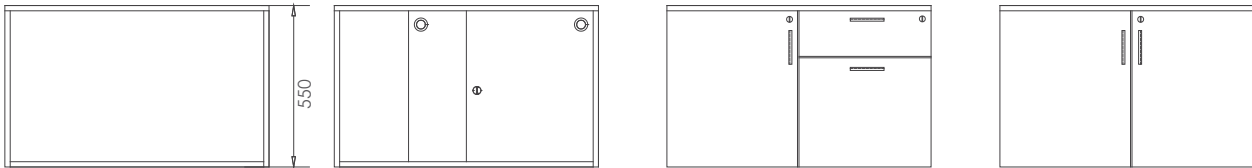


## CABINET TYPE

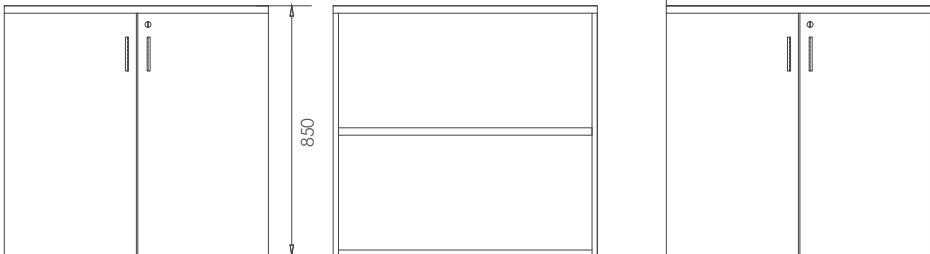
### LOW CABINET



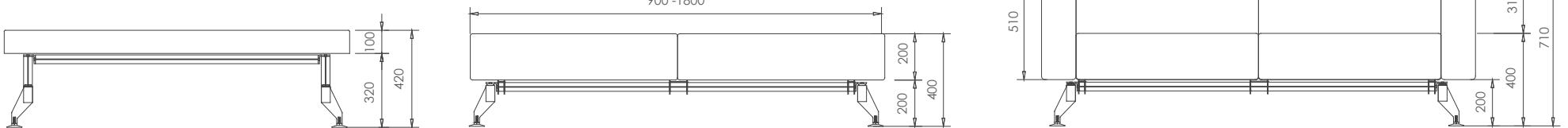
### MEDIUM CABINET



### HIGH CABINET




### IF-BENCH



# CERTIFICATES

## FIRA CERTIFICATE

ZERTIFIKAT ♦ CERTIFICATE ♦ CERTIFICADO ♦ CERTIFICAT ♦ CERTIFICAT



### TEST CERTIFICATE

This Certificate is issued to  
**Artmatrix Technology Sdn Bhd**  
 Lot 32789, Jalan 5/1A,  
 Taman Perindustrian Selesa Jaya,  
 43300 Balakong, Selangor Darul Ehsan,  
 Malaysia.

**FOR**

**Product:** Foldable Desking System

**Brand/Model:** ARTMATRIX - IF

**Specification:** ANSI/BIFMA X5.5-2014

**Test Report:** 7191156271-EEC-17/01-CSL

**Date of Test Report:** 20 Apr 2017

**Summary**

A sample of product submitted was tested and was found to comply with the test requirements of the above standard(s).

*Mie*  
 TUV SÜD PSB Pte Ltd

Certificate No:	Date of Original Issue:	Date of Last Revision:	Date of Expiry:
03741	11/07/2017	-	10/07/2019

This Certificate is part of a full report and should be read in conjunction with it. This Certificate remains the property of TUV SÜD PSB Pte Ltd and shall be returned upon request. The use of this Certificate is subjected to the terms and conditions of the Test Certification Scheme.  
 Note: This Certificate is issued pursuant to the terms set out overleaf.

TUV SÜD PSB Pte Ltd • 1 Science Park Drive, Singapore 11821

## GECA CERTIFICATE

GECA

Good Environmental  
 Choice Australia  
 Licence

GECA (Good Environmental Choice Australia) manages a Type 1 Ecolabel program in accordance to ISO 14024 "Environmental Labels and Declarations" and is the owner of the Good Environmental Choice Australia Ecolabel.

The following products and/or services have been granted the use of the ecolabel and have been verified by an independent conformity assessment body that they meet the environmental, health and social/ethical criteria of the GECA standard.

**Licence number:** ART-2017

**Issued to:** Artmatrix Technology Sdn Bhd

**Issue date:** 17 August 2017

**Licencee since:** 04 March 2011

**Certified products:**

I-Mode (ECO) Desking System	IF (ECO) Intelligent Folding Table
Simplex (ECO) Monolith Panel System	I-Beam (ECO) Desking System
Tu-X Plus (ECO) Monolith Panel System	E-Style (ECO) Desking System
Trends Pro (ECO) Desking System	Kensu Chair
	Kensu Chair Range

**GECA standard:** GECA FFFM3.0-2017 Furniture, Filings, Floor & Mattresses

**Address of head office:** Lot 32789, Jalan 5/1A Taman Perindustrian Selesa Jaya, Malaysia

**Conformance assessment by:** GSI

**Licence expiry date:** 4 July 2020

*Kate Harris*  
**Kate Harris**  
 Chief Executive Officer

Suite 501, 15 Belvoir Street,  
 Surry Hills NSW 2010  
 P: +612 9699 2850  
 ABN: 27 150 746 153

  
  
**CERTIFIED**

Our mission is to drive sustainable consumption & production.

## MY HIJAU CERTIFICATE


This is to certify that

**ARTMATRIX TECHNOLOGY SDN. BHD. (0901043-X)**  
 Lot 32789, Jalan 5/1a  
 Taman Perindustrian Selesa Jaya  
 43300 Balakong  
 Selangor

has the rights to use the MyHIJAU Mark label on the following item:

<b>Item's Name :</b>	IF (ECO) Intelligent Folding Table
<b>Brand :</b>	ARTMATRIX
<b>Model :</b>	ECO Series
<b>Sector :</b>	Building
<b>Compliance :</b>	Environmental Choice Australia Ecolabel

<b>Certificate no. :</b>	MyHPB 00086/15
<b>Issue date :</b>	1 July 2015
<b>Expiry date :</b>	4 March 2017

  
Malaysian Green Technology Corporation  
 962277-0  
 86-2, Jalan 1/10, Residensi Dataran  
 Bayan 4, 06010 Bayan Baru, Bayan  
 Lepas, Pulau Pinang  
 Malaysia  
 T: +604-8911 0800  
 F: +604-8911 0811  
 www.greentechmalaysia.my  
 www.greentechmalaysia.com

  
**IR. AHMAD HADRI HARIS**  
 Chief Executive Officer  
 Malaysian Green Technology Corporation

This Certificate is granted subject to the Terms and Condition of usage of MyHIJAU Mark certificate and label

Printed on FSC® Certified paper



PROJECT REFERENCES



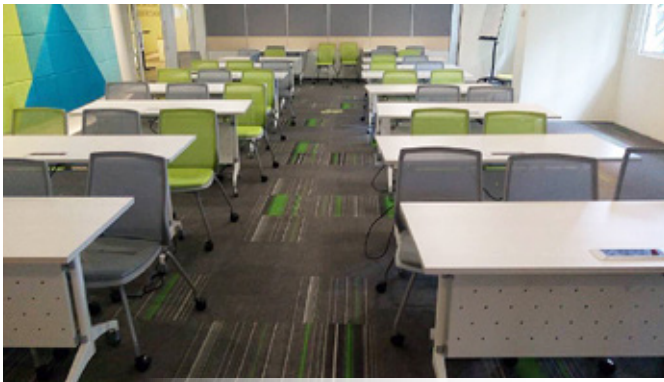
NETKA SYSTEM, THAILAND



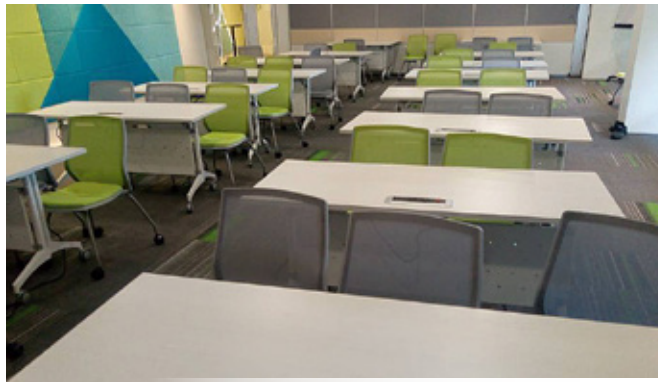
NETKA SYSTEM, THAILAND



NETKA SYSTEM, THAILAND



COLGATE PALMOLIVE, MALAYSIA



COLGATE PALMOLIVE, MALAYSIA



PERODUA, MALAYSIA



PERODUA, MALAYSIA



PERODUA, MALAYSIA



PERODUA, MALAYSIA

**MALAYSIA**

ABB Malaysia Sdn Bhd  
 AbbVie Sdn Bhd  
 Advantech CO. Malaysia Sdn Bhd  
 AECOM Perunding Sdn Bhd  
 Affin Bank Berhad  
 Agoda International (M) Sdn Bhd  
 Agro Bank Berhad  
 AIA Shared Services Sdn Bhd  
 Aker Engineering Malaysia Sdn Bhd  
 Alam Swiber Offshore (M) Sdn Bhd  
 Al-Madinah International University  
 Alliance Bank Malaysia Berhad  
 Allianz Malaysia Berhad (HQ), KL Sentral  
 AMP Corporation (M) Sdn Bhd  
 Apex Investment Services Berhad  
 Applied Integrators Sdn Bhd  
 Arvato Systems Malaysia Sdn Bhd  
 Ar-RahnuYaPEIM  
 Arup Jururunding Sdn Bhd  
 Atos Origin Services (M) Sdn Bhd  
 Australian High Commission  
 Axon Solutions Sdn Bhd  
 Bae Systems  
 Bae Detica Malaysia  
 Bank Islam Malaysia Berhad  
 Bank Pembangunan Malaysia Berhad  
 Bukit Bintang City Centre (BBCC)  
 SME Bank  
 Bank Muamalat Malaysia Berhad - Sabah  
 Bank Kerjasama Rakyat Malaysia Berhad  
 BHP Billiton Shared Services Sdn Bhd  
 Binastra Construction Sdn Bhd  
 Blackmores (Malaysia) Sdn Bhd  
 BMW Malaysia Sdn Bhd  
 Bosch  
 British International School, KL  
 Bursa Malaysia Berhad  
 Carigali Hess Operating Company Sdn Bhd  
 Carlsberg Brewery Malaysia Berhad  
 CCM Chemicals Sdn Bhd  
 CIMB Bank Berhad  
 C.I.S Network Sdn Bhd  
 Citizen Sales & Gallery  
 Cochlear Malaysia Sdn Bhd  
 CROPS for the Future Research Centre  
 Damansara Realty Berhad  
 Danajamin Nasional Berhad  
 DATAFM Sdn Bhd  
 Deleum Berhad  
 Deloitte Malaysia  
 Dewan Bandaraya Kuala Lumpur (DBKL)  
 Dialog Group Berhad  
 DKLS Equity Sdn Bhd  
 DNP Property Management Sdn Bhd  
 Dutch Lady Milk Industries Berhad  
 DVM Innovate Sdn Bhd  
 EC Harris  
 Eco Majestic Sdn Bhd

Eco Meridian Sdn Bhd  
 Eco Tropics Development Sdn Bhd  
 EcoWorld International Centre  
 Elken Service Sdn Bhd  
 Electrolux Home  
 Elegant Aura (M) Sdn Bhd  
 EPF Learning Centre  
 EUPE Kemajuan Sdn Bhd  
 Exact Asia Development Centre Sdn Bhd  
 Expedia, KL  
 Export-Import Bank of Malaysia Berhad (EXIM Bank)  
 Fonterra Brands (M) Sdn Bhd  
 Fresenius Medical Care (M) Sdn Bhd  
 F & N Dairies (M) Sdn Bhd  
 General Electric International Inc.  
 Getha Bedding (M) Sdn Bhd  
 Gleneagles Kota Kinabalu Sabah  
 Great Eastern Life Assurance (Malaysia) Berhad  
 Halal Industry Development Corp Sdn Bhd  
 Hawkeye International Sdn Bhd  
 Hitachi Data Systems Sdn Bhd  
 Hong Leong Bank Berhad  
 Honda Malaysia Sdn Bhd  
 HSBC Electronic Data Processing (M) Sdn Bhd  
 HSBC Global Resourcing (UK) Limited  
 Huawei Technologies (M) Sdn Bhd  
 Inti International Education Sdn Bhd  
 Islamic Development Bank  
 Istana Negara – Guest House  
 Jabatan Kebudayaan dan Kesenian Negara  
 Jabatan Kerja Raya Sarawak – Kuching  
 Johnson & Johnson Medical Manufacturing Sdn Bhd  
 Kellogg Asia Marketing Inc  
 Kenanga Investment Bank Berhad  
 Komatsu Asia & Pacific Pte Ltd  
 Kompleks Kementerian Dalam Negeri, WPKL  
 KPJ Healthcare Sdn Bhd  
 Lembaga Hasil Dalam Negeri, Terengganu  
 Lembaga Tabung Haji  
 Lembaga Zakat Selangor  
 Lubricant Business Division, PETRONAS Dagangan Bhd  
 Majlis Sukan Negara  
 Malaysia LNG Sdn Bhd – Bintulu  
 Malaysian Agrifood Corporation Berhad (MAFC)  
 Malaysian Communications & Multimedia Commission  
 Malaysian Technology Development Corporation  
 Mayban Fortis Holdings Berhad  
 Malakoff Corporation Berhad  
 Megapower  
 Measat Broadcast Network System Sdn bhd  
 MMC-Gamuda Joint Venture Sdn Bhd  
 MNRB Holdings Berhad  
 Monash Universiti Malaysia Sdn Bhd  
 Nando's Chicken Office  
 Naza Motor Trading Sdn Bhd  
 Newcastle University  
 NUMed Malaysia  
 Nomad Space Sdn Bhd  
 OBYU Holdings Sdn Bhd

OPPO Global Call Centre  
 Padiberas NasionalBerhad (BERNAS)  
 Pejabat PTPTN CawanganMenara Park  
 PerbadananHartaIntelek Malaysia (MyIPO)  
 PerbadananUsahawanNasionalBerhad (PUNB)  
 Perodua Sales Sdn Bhd  
 Perwaja Steel Sdn Bhd  
 Petrofac Malaysia – KLCC  
 PetronasCarigali Sdn Bhd – KLCC  
 Petronas Gas Berhad – Kertih  
 Petronas Methanol (Labuan) Sdn Bhd  
 Petronas Penapisan (Melaka) Sdn Bhd  
 Petra Energy Berhad  
 PharamaniagaLifescience Sdn Bhd  
 Port Klang Free Zone Sdn Bhd  
 POS Malaysia Berhad  
 PPB Oil Palms Berhad  
 Progressive Insurance Berhad  
 Private Pension Administrator Malaysia  
 PuncakNiaga Holdings Berhad  
 Putrajaya 5G2  
 -Ministry of Higher Education Malaysia  
 -Ministry of Tourism Malaysia  
 Putrajaya 4G8  
 – Ministry of Rural & Regional Development  
 Putrajaya 4G9  
 – Ministry of Information, Communication & Culture  
 Putrajaya 4G10  
 – Ministry of Housing & Local Government  
 Royal Embassy of Saudi Arabia  
 Sarawak General Hospital  
 Securities Commission Malaysia  
 Schlumberger Wellog Sdn Bhd  
 \* Siemens Malaysia Sdn Bhd  
 Singapore Airlines Ltd  
 SIRIM Berhad  
 SME Corporation Malaysia  
 Sony (M) Sdn Bhd  
 Sunway Group  
 Sutherland Global Services  
 Syarikat Bekalan Air Selangor Sdn Bhd (SYABAS)  
 Tabung Haji HQ  
 Talent2 Malaysia Sdn Bhd  
 Talent Corporation Malaysia  
 Tesco Stores (M) Sdn Bhd  
 The University of Nottingham Malaysia  
 TNT Express Worldwide (M) Sdn BhdTouch 'n Go Sdn Bhd  
 Toyota 3E, Sibul  
 Tradewinds (M) Bhd  
 TSR Capital Berhad  
 TWI Technology Sdn Bhd  
 \* Uber Malaysia Sdn Bhd  
 University of Reading Malaysia, Johor  
 Universiti Teknologi MARA (UiTM), Sabah  
 Universiti Teknologi Malaysia-Skudai  
 University Teknologi Petronas (Tronoh, Perak)  
 UMW Corporation Sdn Bhd  
 UM Land Builders Sdn Bhd  
 UniKL MITEC

Universiti Teknologi Malaysia (UTM)  
 UOB Kay Hian Securities (M) Sdn Bhd  
 Valuecap Sdn Bhd  
 Volkswagen Group Malaysia Sdn Bhd  
 Walton International Property Group (M) Sdn Bhd  
 Warner Music Sdn Bhd  
 Yinson Holdings Berhad  
 YTY Industry Sdn Bhd  
 Zuellig Pharma Sdn Bhd  
 \* Zurich Insurance Malaysia Berhad

**AUSTRALIA**

Commonwealth Bank of Australia  
 Regus, Adelaide  
 Stevens Commercial Furniture

**BAHRAIN**

Collage Consultants Wll

**BRUNEI**

Brunei Petroleum  
 Malar Setia Sdn Bhd  
 Ministry of Foreign Affairs and Trade  
 Ministry of Education  
 Ministry of Defence  
 Ministry of Culture, Youth & Sports

**CAMBODIA**

Ramatex Holdings Bhd, Phnom Phen  
 \* CIMB Bank

**CANADA**

Distrimar Inc

**INDIA**

3i Infotech Ltd  
 Aker Powergas Pvt Ltd  
 Alstom India Ltd  
 Bajaj Allianz  
 Black & Veatch Consulting Pvt Ltd  
 BSE Ltd  
 Capgemini Hyderabad  
 CBRE, Pune  
 Citrix R & D India Pvt Ltd  
 Cognizant Technology Solutions (CTS)  
 DCB Bank  
 Deloitte Communication Gym, Hyderabad  
 Deloitte Consulting India Pvt Ltd  
 DHL Express (India) Pvt Ltd, Mumbai  
 DTDC, India  
 Ekem India Pvt Ltd  
 Enpro  
 Esskay MEP Consultants (India)  
 Financial Technologies (India) Ltd  
 Fullerton Credit Company Ltd

GE, Windsor BKC  
GenesysWorldcye Ltd, Mumbai  
Glaze Granite Ltd  
Global eProcure  
Goldstar  
Hexaware Campus, Chennai  
HITOS  
HSBC  
iGate Clinical Research International Pvt Ltd  
ITB Software Service Ltd  
Ichibaan Honda Automobiles Pvt Ltd  
ICICI Bank  
Incubation Centre, Pune  
Jardine Lloyd Thompson India Pvt Ltd  
JP Morgan & Co. Inc  
Jyothy Structures Ltd, Andheri West  
KPII Technologies Limited  
Larsen and Toubro Ltd  
L'oreal India Pvt Ltd  
Lupin Ltd  
Marathon Maxima  
Mashreq Bank  
Mastek Ltd  
Max 90A Gurgaon  
Max Life Insurance Co. Ltd  
McKinsey Knowledge Centre India Pvt Ltd  
Mirae Asset global Investments Pvt Ltd, Chennai  
Morgan Stanley Capital International (MSCI) Barra  
N.Y.K. Logistics India Ltd, Andheri  
NCR Teradata, Pune  
ONGC Mangalore Petrochemicals Ltd (OMPL)  
Paternoster India Pvt Ltd  
Patni Computer Systems Ltd  
Praxis i-Technologies Pvt Ltd  
Prime Technology Group, Hyderabad  
Regus India  
Reliance – New Delhi  
Saraswat Co-operative Bank Ltd, Mumbai  
Searland Management Services (India) Pvt Ltd  
Sify Technologies Ltd, Chennai  
State Street Bank  
Sundaram BNP Paribas Fund Services Ltd  
Syntel India Ltd  
Tata Consultancy Services Ltd  
Tata Motors Ltd  
Tata Motors Finance Ltd  
Tata Capital Limited (TCL), Mumbai  
Thermax Ltd, Pune  
TNS India Private Ltd  
Transocean House  
Uhde India Ltd  
Unisource India  
Vodafone India Services Pvt Ltd  
Wirtgen India  
WNS Global Services Pvt Ltd

## INDONESIA

Astra International  
Bank Saudara

Barclays Bank  
CIMB Bank  
Generali  
Mandiri Sekuritas  
MNC (Media Nusantara Citra)  
Panin Bank  
PT Pamapersada  
Telesindo

## MAURITIUS

Arup Sigma Ltd  
CMA – CGM  
Euro CRM Mauritius Ltd  
Maurice Publicité  
POS  
SAB Miller  
Holiday Inn Airport Hotel

## MYANMAR

Mingalarzay Office  
ShweTaung Cement Co. Ltd

## QATAR

Allianz Worldwide Care, Saudi Arabia  
ICICI Bank, Doha  
Qatar Petroleum International Ltd

## SINGAPORE

Baker & McKenzie.Wong & Leow  
Bank of China  
\* Boeing Asia Pacific Aviation Services Pte Ltd  
BNP Paribas Private Bank  
CET Campus East  
CET Campus West  
\* Changi Airport Group (S) Pte Ltd  
Credit Agricole Corporate & Investment Bank  
Crimson Logic Pte Ltd  
Cummins Corporate Office  
Cummins Diesel Sales Corporation  
Cummins Engine (S) Pte Ltd  
Cummins Power Generation (S) Pte Ltd  
Ez-link Pte Ltd  
Gammon Pte Ltd  
Goodrich Aerostructures Service Center Asia Pte Ltd  
\* Government of Singapore Investment Corporation Pte Ltd  
Great Eastern Life Assurance Co. Ltd  
Holiday Inn Park View Hotel Singapore  
John Willies & Sons  
Kalla Group  
Knight Frank Pte Ltd  
\* LF Logistic (S) Ltd  
Luxasia Pte Ltd  
National Cancer Centre Singapore  
National Computer Systems Pte Ltd  
National Library

National University of Singapore  
Nestle  
Samsung  
Savi Technology Asia Pte Ltd  
Schaefer Systems International Pte Ltd  
Schroder Investment Management (S) Ltd  
Sembawang Corporation  
Sembawang Engineers & Constructors Pte Ltd  
Singapore Economic Development Board  
Singapore Press Holdings Ltd  
Straco Corporation Ltd  
Sumifru Singapore Pte Ltd  
Sungard  
The National Library Board, Library Supply Centre  
Toshiba  
Total Oil Asia-Pacific Pte Ltd  
Universal Terminal (S) Pte Ltd  
UOB Life Assurance Ltd

## TANZANIA

Mingalink Travel & Tours Ltd  
The Living Room Ltd

## THAILAND

Ajinomoto Co.,Ltd  
Alpha Group Co., Ltd.  
B.B. Battery (Asia) Co., Ltd.  
Bangkok Business Media Co., Ltd.  
Bangkok New Trend Development Co.,Ltd.  
Chanthaburi Ploysanglighting Co.,Ltd.  
Chulalongkorn University  
Code Master Co.,Ltd.  
Dtac  
First Chapter Co.,Ltd.  
Fuji Xerox (Thailand) Co. Ltd  
Generali Insurance (Thailand) Public Co., Ltd.  
Generali Life Assurance (Thailand) Public Co., Ltd.  
Green Asset Management Co., Ltd.  
Huawei Technologies Co. Ltd  
Kasetsart University  
Millward Brown Firefly Co., Ltd.  
Mitsubishi Motor Co.,Ltd  
Netka System  
Oishi Trading Co.,Ltd.  
\* Pearl Bangkok  
Pcl Holding Co.,Ltd.  
Professional Maid Co.,Ltd.  
Ptt Energy Solutions  
Robert Bosch Co.,Ltd  
Sabic Innovative Plastics Co., Ltd.  
Saengthai Rubber Co.,Ltd  
Sappakit Administration Co.,Ltd.  
Siamvarinnitkarn Co.,Ltd.  
Sigma Agrochemical Co., Ltd.  
Strabag Industries (Thailand) Co.,Ltd.  
Taweekun Instructional Media Co.,Ltd.  
Terragro Fertilizer Co., Ltd.

Thai Lube Base  
Thai Vista Enterprise Co., Ltd.  
Thailine Resources Co.,Ltd.  
Thammasat University  
The American School Of Bangkok  
The Nomad Offices, Bangkok  
Tron Co.,Ltd  
Total Access Communication Public Company Ltd  
Use Electronics (Thailand) Co.,Ltd.  
Valeo Niles (Thailand) Co. Ltd  
V-Intelligence Co.,Ltd.

## UAE

Ambiante Interiors LLC  
AV Concepts LLC  
Alternative Capital Invest (ACI)  
Al Faris (Dubai and AbuDubai)  
Alstom  
Al Tayer Group  
Big Yellow Storage  
Carrefour, Dubai  
DFSA, Dubai  
DP World Ltd  
Division Nine Interior Design (LLC)  
Dubai Islamic Bank  
Dubai Municipality (Government of Dubai)  
Ducab  
Emaar  
Empire Aviation Group  
Goldline Group  
Hamptons  
JID Management Consultancy FZ LLC  
Kottoor International LLC  
Kreol Trading FZCO  
Manchester Business School  
Matrix Interiors Design LLC  
Modelcraft Pty Ltd  
Nakheel  
PCFC  
Premier Real Estate Bureau LLC  
Qanat Al Qasba Business Center  
Right Angle Media, FZ LLC  
S.S. Lootah Group  
Sify International  
Sika International Ltd  
The Independent Tobacco FZCO  
Thermax Ltd  
Zabeel Contracting Co. LLC

## UGANDA

Bidco Uganda Ltd

## UKRAINE

CIB Engineering



www.artmatrix.com.my

**ARTMATRIX TECHNOLOGY SDN BHD** (694144-X)  
**ARTMATRIX MANUFACTURING SDN BHD** (693659-U)  
Lot 32789, Jalan 5/1A, Taman Perindustrian Selesa Jaya,  
43300 Balakong, Selangor, Malaysia.

☎ +603 8962 2286 📠 +603 8961 8862

✉ sales@artmatrix.com.my

🌐 www.artmatrix.com.my

**KK SHOWROOM**

Ground Floor, Block B, Lot 4,  
Damai Plaza Phase 3,  
Wisma CTF, Jalan Damai,  
88300 Kota Kinabalu, Sabah, Malaysia.

☎ +6088 448 355 / 448 655

📠 +6088 448 455

**JAKARTA REPRESENTATIVE OFFICE**

28-12, DBS Bank Tower 28 Floor,  
Ciputra World One,  
Jalan Prof. Dr. Satrio Kav 3-5,  
Jakarta 12940, Indonesia.

☎ +62 21 2988 7965 📠 +62 21 2988 8201

✉ jakartaoffice@artmatrix.com.my

**Accreditation**



ISO 9001 & ISO 14001 Certified

**Green Labels and Awards**



**International Member of**



**Member of**

